

InGaAs camera C12741-03



FEATURES

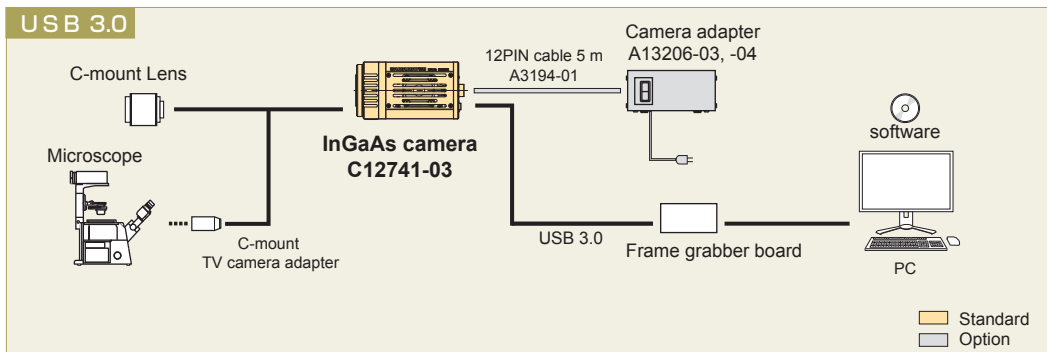
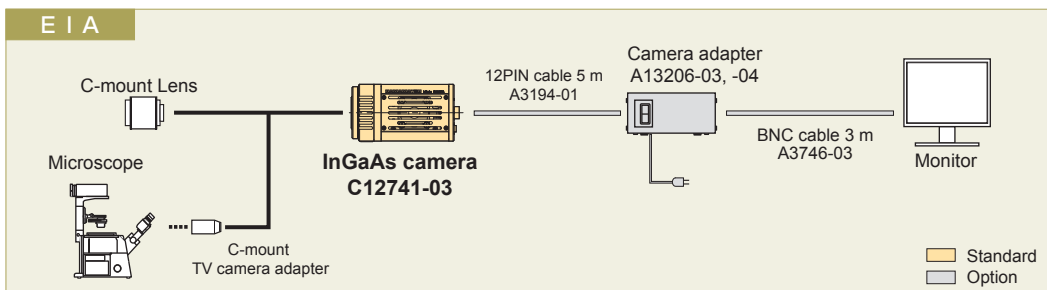
- High sensitivity in the near infrared region from 950 nm to 1700 nm
- 640 × 512 pixels
- Low noise and high stability with cooling
- Simultaneous output from two interfaces: analog (EIA) port and USB 3.0 port
- Frame rate of 60 frames/s

APPLICATIONS

- Internal inspections of silicon wafers and devices
- Evaluation of solar cells
- Evaluation and analysis of optical communication devices
- EL/PL image acquisition

The C12741-03 is an InGaAs camera with high sensitivity in the near infrared region from 950 nm to 1700 nm. It has an analog output (EIA) and a USB 3.0 interface port which supports 14-bit image acquisition and exposure time adjustment. This makes the C12741-03 ideal for use in a wide range of applications including internal inspection of silicon wafers and devices, laser beam alignment and evaluation of solar cells.

SYSTEM CONFIGURATION

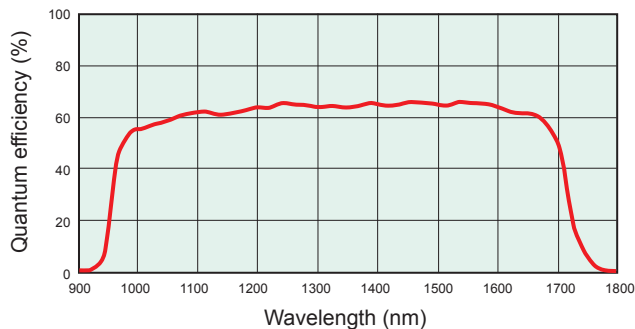


SPECIFICATIONS

Type number	C12741-03	
Imaging device	InGaAs sensor	
Effective number of pixels	640 (H) × 512 (V)	
Pixel size	20 μm (H) × 20 μm (V)	
Effective area	12.8 mm (H) × 10.24 mm (V)	
Cooling method	Peltier cooling	
Cooling temperature	Passive-air cooled (Ambient temperature: +25 °C)	+10 °C
Frame rate	59.774 frames/s	
Digital output	14 bit	
Exposure time (Internal mode) *1	16.7 ms to 33.3 ms	
External trigger input mode	Edge trigger, Level trigger, Start trigger	
Trigger delay function	0 to 1 s in 10 μs steps	
Trigger input connector	SMA	
Interface	EIA, USB 3.0	
Image processing functions	Background subtraction, Shading correction	
Lens mount	C-mount	
Connector	USB 3.0 microB type	
Power supply	DC +12 V	
Power consumption	Approx. 16 W	
Ambient operating temperature	0 °C to +40 °C	
Ambient operating humidity	30 % to 80 % (with no condensation)	
Ambient storage temperature	-10 °C to +50 °C	
Ambient storage humidity	90 % max. (with no condensation)	

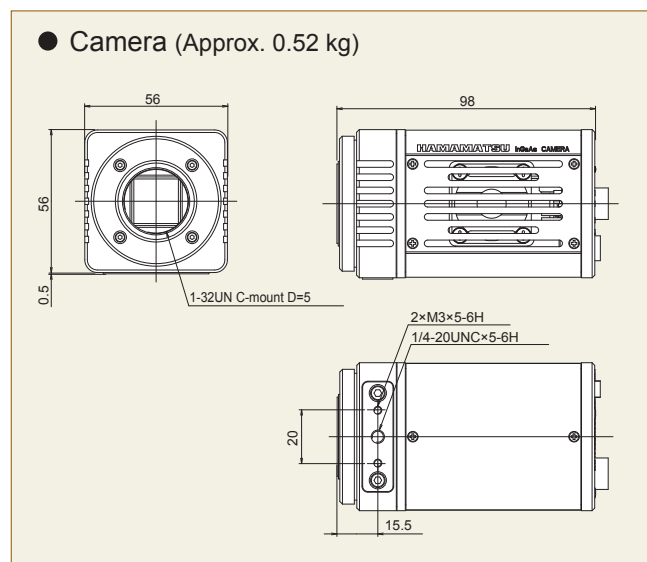
*1: Depend on the exposure time, uneven pattern may appear in the image. It can be improved by retaking the correction data.

SPECTRAL RESPONSE



DIMENSIONAL OUTLINES (Unit : mm)

● Camera (Approx. 0.52 kg)



OPTIONS

- Camera adapter: A13206-03 (for US)
: A13206-04 (for EU)
- 12PIN cable 5 m: A3194-01
- BNC cable 3 m: A3746-03

★ **Product and software package names noted in this documentation are trademarks or registered trademarks of their respective manufacturers.**

- Subject to local technical requirements and regulations, availability of products included in this promotional material may vary. Please consult your local sales representative.
- Information furnished by HAMAMATSU is believed to be reliable. However, no responsibility is assumed for possible inaccuracies or omissions. Specifications and external appearance are subject to change without notice.
- The spectral response specified in this catalog is typical value, it is not guaranteed.

© 2016 Hamamatsu Photonics K.K.

HAMAMATSU PHOTONICS K.K. www.hamamatsu.com

HAMAMATSU PHOTONICS K.K., Systems Division

812 Joko-cho, Higashi-ku, Hamamatsu City, 431-3196, Japan, Telephone: (81)53-431-0124, Fax: (81)53-435-1574, E-mail: export@sys.hpk.co.jp

U.S.A.: Hamamatsu Corporation: 360 Foothill Road, Bridgewater, NJ 08807, U.S.A., Telephone: (1)908-231-0960, Fax: (1)908-231-1218 E-mail: usa@hamamatsu.com

Germany: Hamamatsu Photonics Deutschland GmbH: Arzbergerstr. 10, D-82211 Herrsching am Ammersee, Germany, Telephone: (49)8152-375-0, Fax: (49)8152-265-8 E-mail: info@hamamatsu.de

France: Hamamatsu Photonics France S.A.R.L.: 19, Rue du Saule Trapu, Parc du Moulin de Massy, 91882 Massy Cedex, France, Telephone: (33)1 69 53 71 00, Fax: (33)1 69 53 71 10 E-mail: infos@hamamatsu.fr

United Kingdom: Hamamatsu Photonics UK Limited: 2 Howard Court, 10 Tewin Road, Welwyn Garden City, Hertfordshire AL7 1BW, UK, Telephone: (44)1707-294888, Fax: (44)1707-325777 E-mail: info@hamamatsu.co.uk

North Europe: Hamamatsu Photonics Norden AB: Torshamnsgatan 35 16440 Kista, Sweden, Telephone: (46)8-509-031-00, Fax: (46)8-509-031-01 E-mail: info@hamamatsu.se

Italy: Hamamatsu Photonics Italia S.r.l.: Strada della Moia, 1 int. 6, 20020 Arese (Milano), Italy, Telephone: (39)02-935-81-733, Fax: (39)02-935-81-741 E-mail: info@hamamatsu.it

China: Hamamatsu Photonics (China) Co., Ltd.: 1201 Tower B, Jiaming Center, 27 Dongsanhuan Bellu, Chaoyang District, 100020 Beijing, China, Telephone: (86)10-6586-6006, Fax: (86)10-6586-2866 E-mail: hpc@hamamatsu.com.cn

Taiwan: Hamamatsu Photonics Taiwan Co., Ltd.: 8F-3, No.158, Section2, Gongdao 5th Road, East District, Hsinchu, 300, Taiwan R.O.C. Telephone: (886)03-659-0080, Fax: (886)07-811-7238 E-mail: info@tw.hpk.co.jp

Cat. No. SCAS0111E03
SEP/2016 HPK
Created in Japan