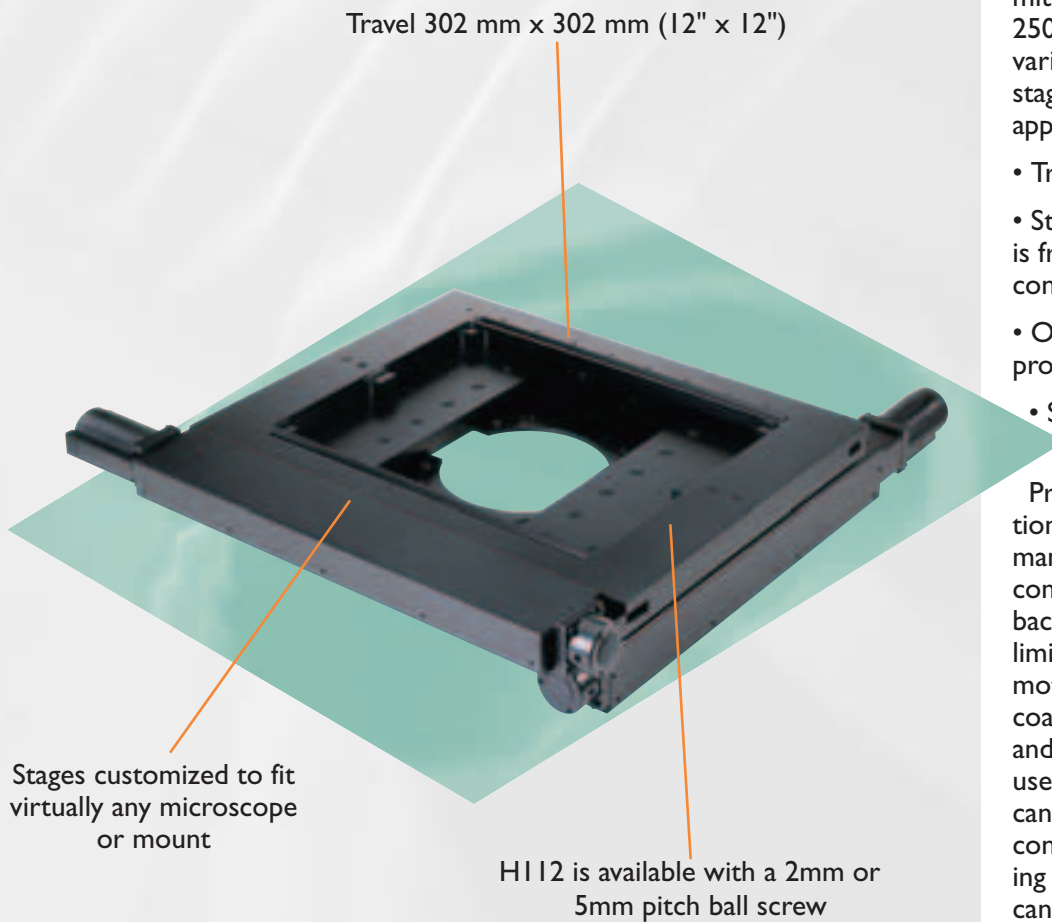


H112 Stage

12"x12" Travel, Programmable, Motorized Stepper Stage

Features

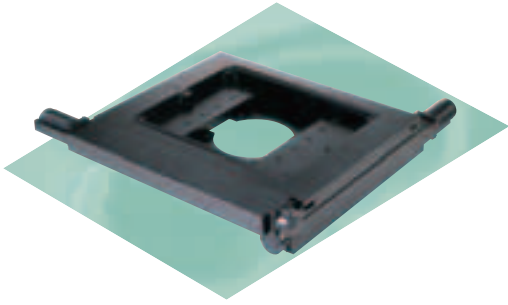


Now add the highest quality, precision motorized stage to your semiconductor inspection microscope: the Prior Scientific H112. The H112 is perfect for scanning a wide variety of semiconductor wafers, photo masks, flat panel displays, and printed circuit boards. The H112 can easily accommodate 12" (300 mm) wafers, and works with many robot arm wafer loaders. The H112 can also be used for transmitted light applications with a 250 mm x 250 mm transmitted light travel area. A variety of sample holders are available and stage inserts can be customized for many applications.

- Travel 302 mm x 302 mm (12" x 12")
- Step size (resolution) of the stage is from 0.1 microns, depending on the controller configuration
- Optional linear scales or rotary encoders provide the highest precision available.
- Stages customized to fit virtually any microscope or mount

Prior stages have a well-deserved reputation for quality and repeatability. They are manufactured using the highest quality components: crossed roller ways, zero backlash recirculating ball screws, X and Y limit switches, two high precision stepper motors even a tough scratch resistant coating. They are available with standard and custom sample holders to suit the user's application and requirements. Stages can be driven by the Prior series of motor controllers or compatible systems in existing OEM configurations. The controller can be accessed via RS-232 serial port/USB or with an optional joystick or keyboard. For the H112 and all its products, Prior provides full support and service both direct and indirect – through a professional, knowledgeable and extensive dealer network.

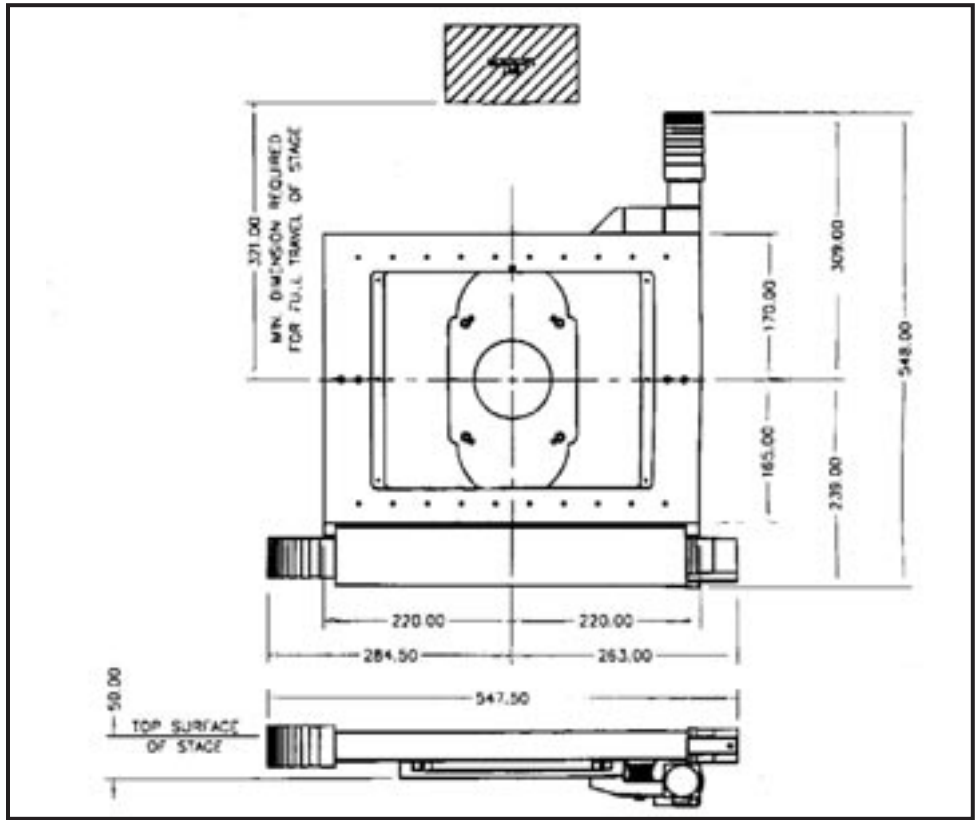
H112 Stage



**12"x12" Travel,
Programmable, Motorized
Stepper Stage for Upright
Microscopes**

Standard Sample Holders

500-H221	Glass Plate
500-H233	Standard Aluminum Plate
500-HWC30S	Chuck, Wafer, Rotatable with steps for 200 mm and 300 mm Wafers
500-HWC30V	Chuck, Wafer, Rotatable, with vacuum for 300 mm Wafers



Dimensions in millimeters.

Ordering Information

500-H112ARNN	Stage with 2 mm pitch screws and step motors
500-H112BRNN	Stage with 5 mm pitch screws and step motors
500-H112ARNI	Stage with 2 mm pitch screws and 0.1 μm linear scales
500-H112BRN2	Stage with 5 mm pitch screws and 0.1 μm linear scales

General Specifications

Travel Range

302 mm x 302 mm (12" x 12")

Repeatability*

± 6 μm
± 2.0 μm with linear scales

Minimum Step Size (Resolution)

0.04 μm

Load Capacity

25 kg (55 lbs)

Motors

High precision stepper

Linear Slides

Crossed 4 mm roller bearings

Drive Screws

Zero backlash, recirculating ball screws;
2 mm or 5 mm pitch

Limit Switches

X and Y standard

Stage Profile

Approximately 50 mm (2.0") with glass plate installed

Weight

14.5 kg (32 lbs)

Finish

Electro-phoretic black plate

* Specifications valid only if used with Prior controller.

PRIOR
Scientific

PRIOR SCIENTIFIC INSTRUMENTS LIMITED,
UNIT 4, WILBRAHAM ROAD, FULBOURN,
CAMBRIDGE CB1 5ET
TELEPHONE 01223 881711
FAX 01223 881710

PRIOR SCIENTIFIC INC.,
80 RESERVOIR PARK DRIVE,
ROCKLAND, MA 02370-1062
TELEPHONE 781-878-8442
FAX 781-878-8736

VISIT PRIOR ON THE WEB AT www.prior.com

Specifications subject to change without notice.

